

TMR6318

100DPI 180mm TMR Magnetic Image Sensor

General Description

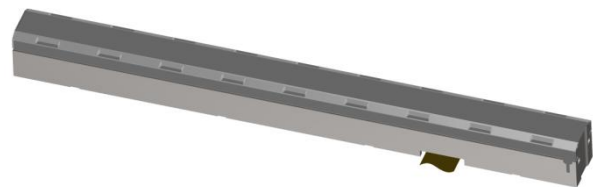
The TMR6318 is a 720pixels, 100DPI magnetic image sensor (MIS) module. It integrates proprietary TMR magneto-resistance sensor, high-quality magnet to provide high sensitivity performance. The module is designed for full-scale paper bills, bank notes and security documents with magnetic materials and is suitable for scanning width up to 180mm. It features a 1-channel analog output to achieve a scanning rate of 150usec/line @ 5MHz pixel rate; Factory calibrated sensitivity of each pixel.

Key Features

- TMR sensor and magnet are integrated in one module
- 100DPI resolution, 180mm detection width with 720 pixels
- 1-channel analog output
- 150usec/line scanning speed
- Compact size: L191.5mm x W16mm x H17mm
- Built-in signal conditioner for each pixel
- Built-in sensitivity calibration in factory
- 3.3V power supply, 1.65V reference voltage output
- No built-in magnet is available: TMR6318N

Applications

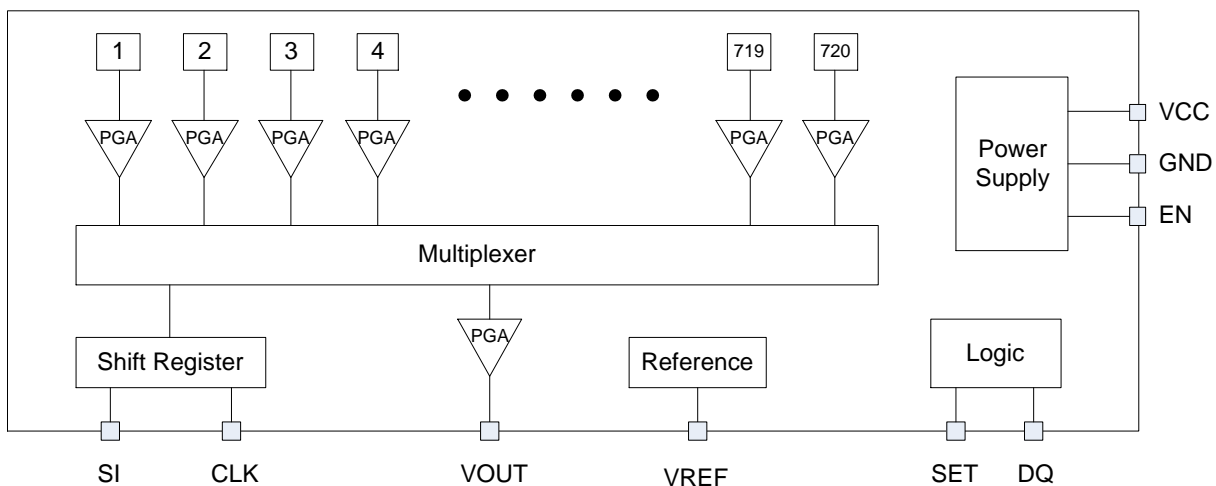
- Currency Verification
- Magnetic Document Scanning
- Non Destructive Testing



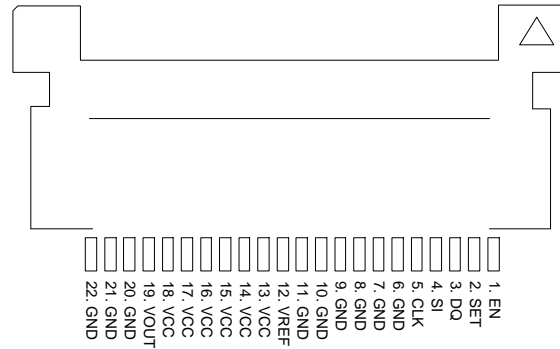
Ordering Information

Part Number	Built-in Magnet
TMR6318	Yes
TMR6318N	No

Block Diagram



Pin Configuration



Connector type: Hirose FH12A-22S-0.5SH(55)

Pin No.	Symbol	I/O ⁽¹⁾	Description
1	EN	I	Enable input. High-level to enable the internal power, this pin has an internal 100kΩ pull-down resistor to hold the regulator off by default
2	SET	I	Auto-set bias voltage input. High-level for t _{SET} time to set the bias voltage of all pixels to the VREF, this pin has an internal 100kΩ pull-down resistor.
3	DQ	I/O	Test pin for factory settings, left it floating in normal use
4	SI	I	Sampling indication pulse input
5	CLK	I	Sampling clock pulse input
6,7,8,9,10, 11,20,21,22	GND	P	Ground
12	VREF	O	+1.65V Reference voltage output
13,14,15,16, 17,18	VCC	P	+3.3V Power supply
19	VOUT	O	Analog output, each pixel signal is shifted out by sampling clock pulse

Note:

(1) I – Input, O – Output, I/O – Input/Output, P – Power

Absolute Maximum Ratings

Parameter	Symbol	Limit	Unit
Maximum Supply Voltage Range	V _{CC}	-0.3 ~ 5.5	V
Input Voltage Range (EN,SET,DQ,SI,CLK)	V _{IN}	-0.3 ~ V _{CC} +0.3	V
Operating Temperature Range	T _A	-10 ~ 50	°C
Storage Temperature Range	T _{stg}	-30 ~ 85	°C
Operating Humidity Range	HMD	10 ~ 90 (no dew)	%RH

Electrical Characteristics

(V_{CC}=3.3V, T_A=25°C, unless otherwise noted.)

Parameter	Symbol	Test Condition	Min.	Typ.	Max.	Unit
Supply voltage	V _{CC}		3.2		4	V
Standby current consumption	I _{STB}	V _{CC} =3.3V, EN=LOW			5	mA
Current consumption	I _{CC}	V _{CC} =3.3V, EN=High		1.2	1.5	A
Sampling frequency	f _S			5		MHz
Output voltage range	V _{OUT}		0.4		V _{CC} - 0.4	V
Auto-set Bias accuracy	V _{BIAS}	After auto-set bias	V _{REF} - 0.3	V _{REF}	V _{REF} + 0.3	V
Reference output voltage	V _{REF}		1.6	1.65	1.7	V
Output impedance	R _{VOUT}			250		Ohm
Reference output impedance ⁽¹⁾	R _{VREF}			150		Ohm
High-level input voltage	V _{IH}	EN, SET, DQ, SI, CLK	0.8V _{CC}		V _{CC}	V
Low-level input voltage	V _{IL}		0		0.2V _{CC}	V
High-level output voltage	V _{OH}	DQ	0.8V _{CC}		V _{CC}	V
Low-level output voltage	V _{OL}		0		0.2V _{CC}	V
Noise	Noise	Gain=1024V/V		100		mVpp
High-pass filter frequency	HPF	-3dB		150		Hz
Low-pass filter frequency	LPF	-3dB		4		kHz
Gain range	Gain	Factory setting	10	1024	3800	V/V

Physical Characteristics

(V_{CC}=3.3V, T_A=25°C, unless otherwise noted.)

Parameter	Symbol	Test Condition	Min.	Typ.	Max.	Unit
Detection width	Width			180		mm
Number of magnetic detectors				720		pixels
Number of effective detectors				710		pixels
Pixel width	W			0.25		mm
Surface magnetic field	B	TMR6318		2000		Gs
		TMR6318N		0		
Magnetic sensitivity ⁽²⁾	S	TMR6318		TBD		
		TMR6318N		TBD		

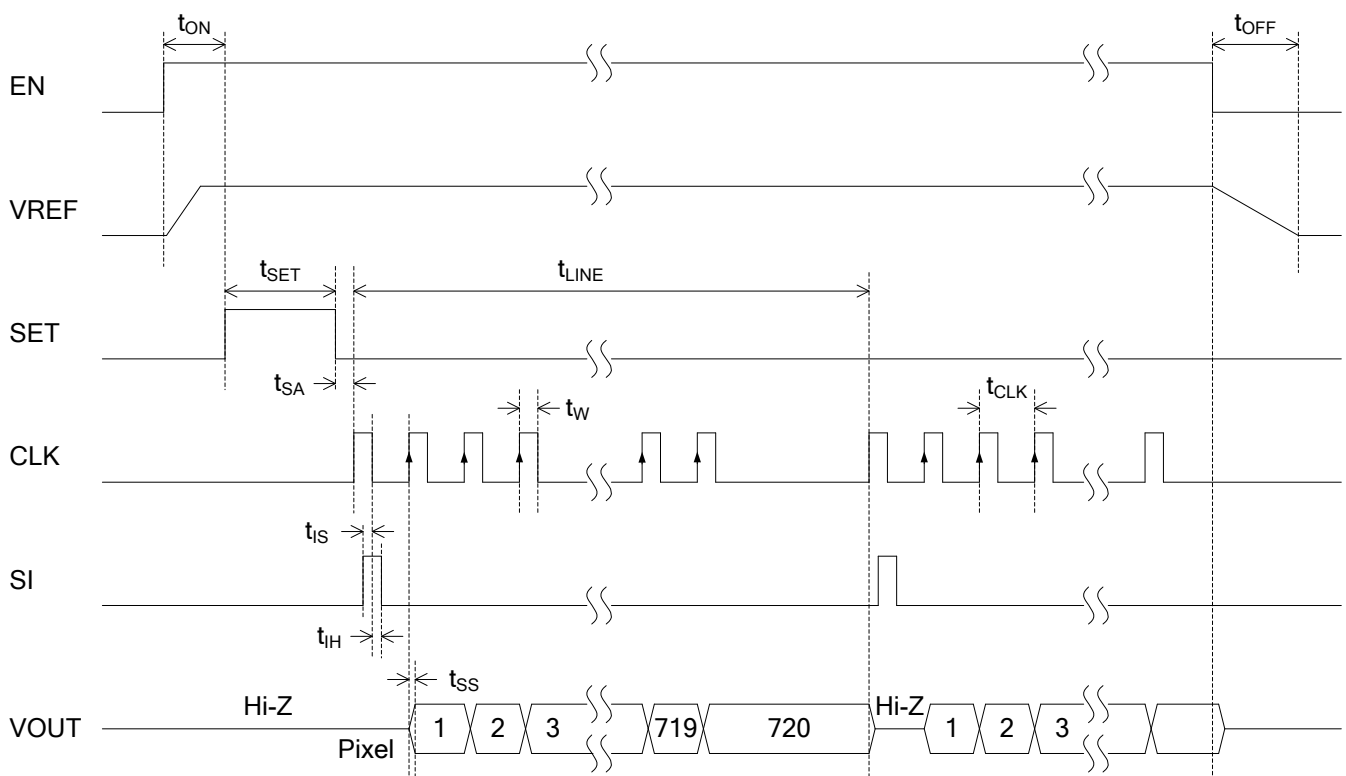
Note:

- (1) To provide good reference performance, a 0.1μF capacitor can be added between VREF and GND.
- (2) According to the MultiDimension sensitivity measurement.

Function Description

Function Sequences

The EN pin is set to high-level to enable the power supply, the internal circuit will be setup within the delay time t_{ON} ; when internal circuit power up, the SET pin is set to high-level for t_{SET} time, it will automatically set the bias voltage of each pixel to the VREF level; After auto-set bias finished for the delay time t_{SA} , then start sampling, a sampling indication signal is sent by setting SI high-level at the falling edge of CLK, then the host can sample each pixel in sequence, after all pixels have been scanned, repeat the sampling indication signal again for the next line sampling.



Parameter	Symbol	Min.	Typ.	Max.	Unit
Power on delay time	t_{ON}	10			ms
Power off delay time	t_{OFF}	100			ms
Auto-set bias delay time	t_{SET}	100			ms
Line sampling rate	t_{LINE}		150		us
Sample delay time after auto-set bias	t_{SA}	1			ms
Clock pulse width	t_w	50			ns
Clock cycle time	t_{CLK}	200			ns
SI setup time	t_{IS}	25			ns
SI hold time	t_{IH}	25			ns
VOUT signal settling time	t_{SS}	150			ns

Power Supply

The external +3.3V power supply should guarantee 1.5A or more current for TMR6318, the FPC cable copper resistance should be less than 0.4Ω per trace to satisfy the supply voltage on the sensor side is higher than the minimum supply voltage requirement. If the FPC cable is too long, an external power cable can also be connected to TMR6318, as in figure 1, marked “G” and “V” represent GND and VCC. A fault LED can alert the over-current or short situation in TMR6318.

A logic enable input controls the internal power switch, a logic high input on EN power up the internal circuit, and all circuit will setup within a delay time t_{ON} ; a logic low input on EN will turn off the circuit, a delay time t_{OFF} should be taken to ensure internal power down; there is a 100kΩ pull-down resistor between EN and GND to ensure power off when EN floating.

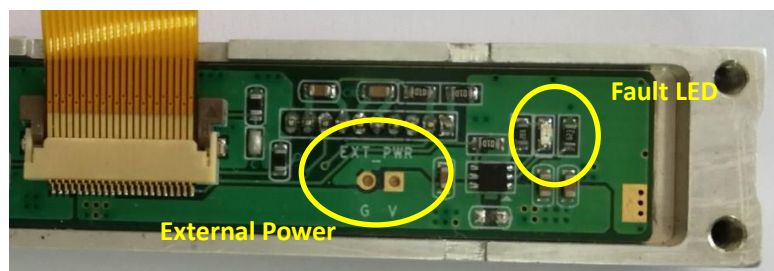


Figure 1. External Power Connection

Auto-set Bias Function

When power on, all pixels bias output voltage is different for offset variation. A logic high input on SET, the auto-set bias function will automatically adjust the bias output voltage of each pixel to the VREF; after a delay time of t_{SET} , a logic low input on SET will stop the auto-set bias function. During the auto-set bias function, make sure external magnetic field and environment is stable, do not roll the motors or bearings near TMR6318, otherwise it will take the signals as offset to adjust, then performs abnormal bias output voltage. A power off and power on sequence must be taken before starting the auto-set bias function.

Sampling Function

After auto-set bias function finished for the delay time t_{SA} , a logic high on SI captured at CLK falling edge will produce a start indication signal, it indicates the start of sampling function; VOUT is in Hi-Z state till the CLK rising edge of the first pixel occur; VOUT outputs each pixel signal on the rising edge of CLK pulse in sequence, the VOUT voltage is settled within the settling time t_{SS} , then the ADC can sample that pixel voltage; after all pixels have been sampled for t_{LINE} time, a new start indication signal can be produced to repeat next line sampling. Do not generate start indication signal until all pixels have been sampled.

Signal Conditioner Amplifier

TMR6318 features programmable gain amplifier for each pixel, it built-in band-pass filter to provide good SNR performance, especially suitable for the low frequency magnetic interferences immunity, like bearings, motors, adapters and etc.; the amplification can be adjusted in factory setting, normally it is 60dB, the amplifier transfer characteristic is as figure 2 shown. Each pixel's sensitivity can be calibrated independently in factory, the TMR6318 can provide high uniformity performance for dedicated application like banking machine, NDT and etc. For other gain requirements please contact MultiDimension.

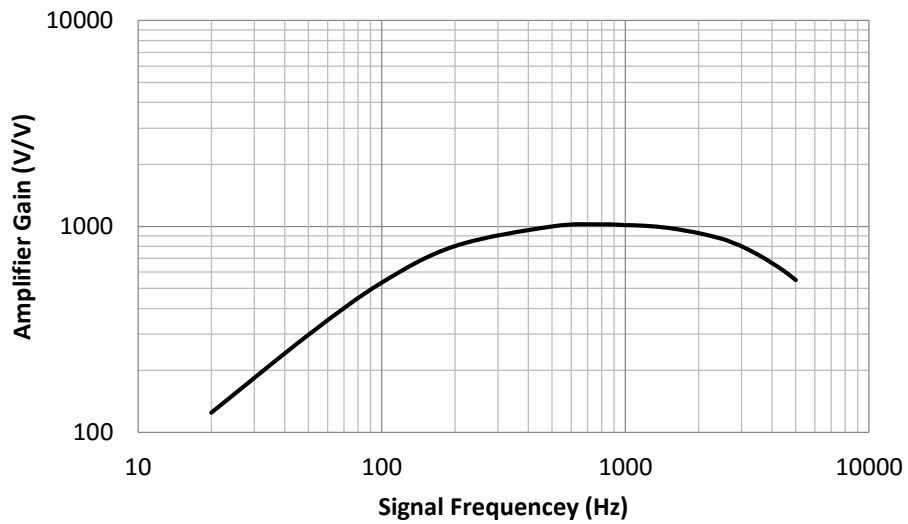


Figure 2. Band-pass amplifier transfer characteristics

Reference Voltage

A reference output voltage VREF pin is provided for the internal reference of the amplifier and also for the external amplifier reference source as in figure 3. The reference voltage is settled in tON time after powered on.

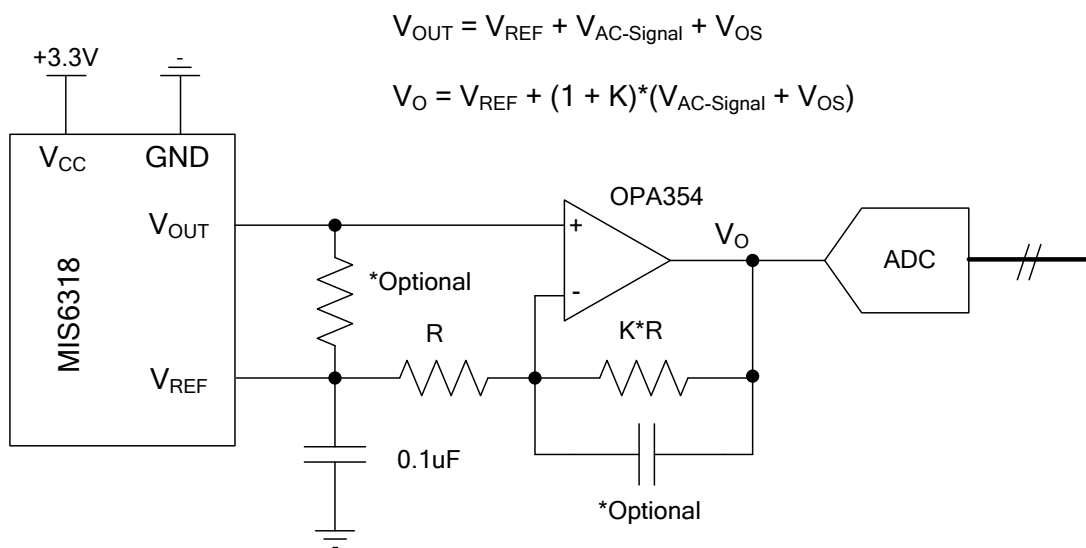


Figure 3. Reference for external amplifier

Sampling Rate

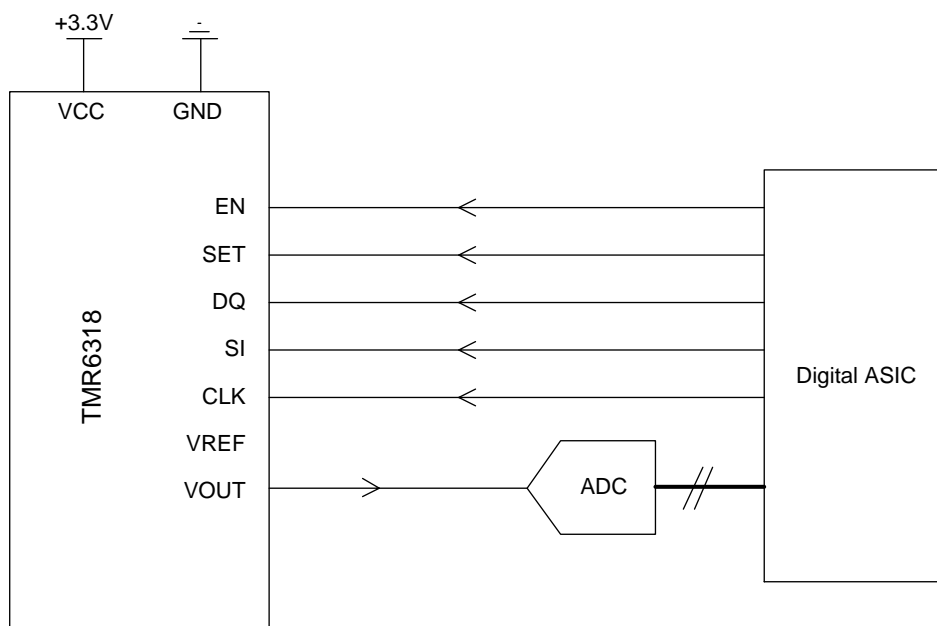
For example, set TMR6318 pixel sampling rate 5MHz, and line sampling rate is 150us/line of 720 pixels; if the paper bill is 77mm length in the moving direction, and its moving speed is 1.5m/s, it will take time 0.077m / (1.5m/s) = 0.0513s to finish the scanning, and the number of sampling lines will be 0.0513s / (150us/line) = 342 lines, the sampling resolution will be 77mm / 342 line = 0.225mm/line.

For higher sampling rate requirements please contact MultiDimension.

Caution for Use

- The sensor contains a permanent magnet, it will cause the recordable magnetic media damaged, such as cassette tapes, floppy disks, credit cards, hard drives, keep it away from such types of magnetic media.
- To avoid the ferromagnetic particles being collected from a dirty environment.
- Magnets tend to snap to each other or the magnetic metals, be careful when handling the sensor not to apply mechanical shock, otherwise the sensors might be abnormal or break.
- Do not place the sensor near the person who has an electronic medical device. It is very dangerous and may cause malfunction of an electronic medical device.
- Magnetic devices may be subject to special transport regulations.
- To avoid the abrasion of the sensor's metal case or stuck the banknote, about 0.1mm gap between the sensor and the opposite side such as rollers is recommended to reduce the pressure of the sensor's metal case.
- To avoid excessive force on terminals, please mount the sensor's base firmly on the PCB and solder all the terminals.
- Hand soldering should be applied, the soldering temperature should be $350\pm 10^{\circ}\text{C}$ less than 3 seconds or $260\pm 5^{\circ}\text{C}$ less than 10 seconds.

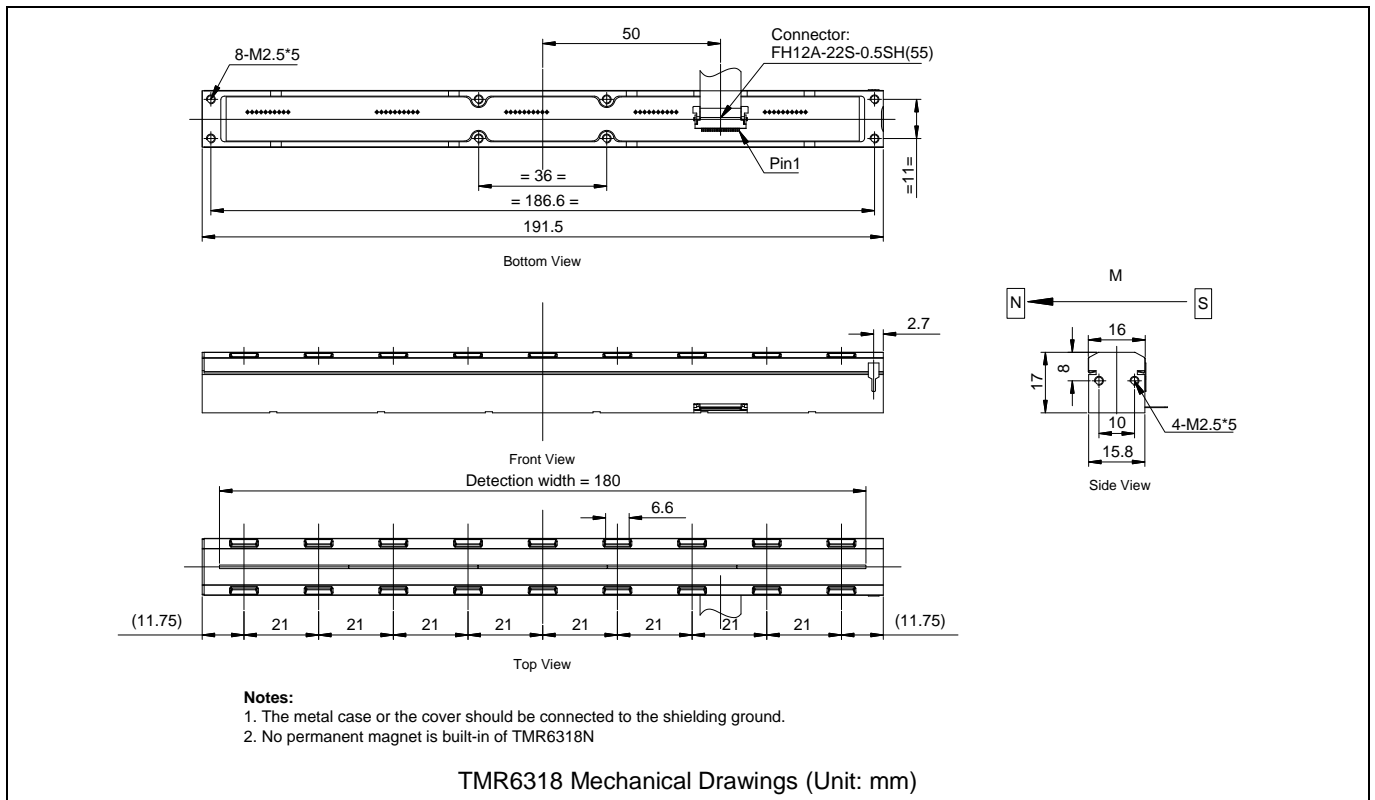
Typical Application Circuit



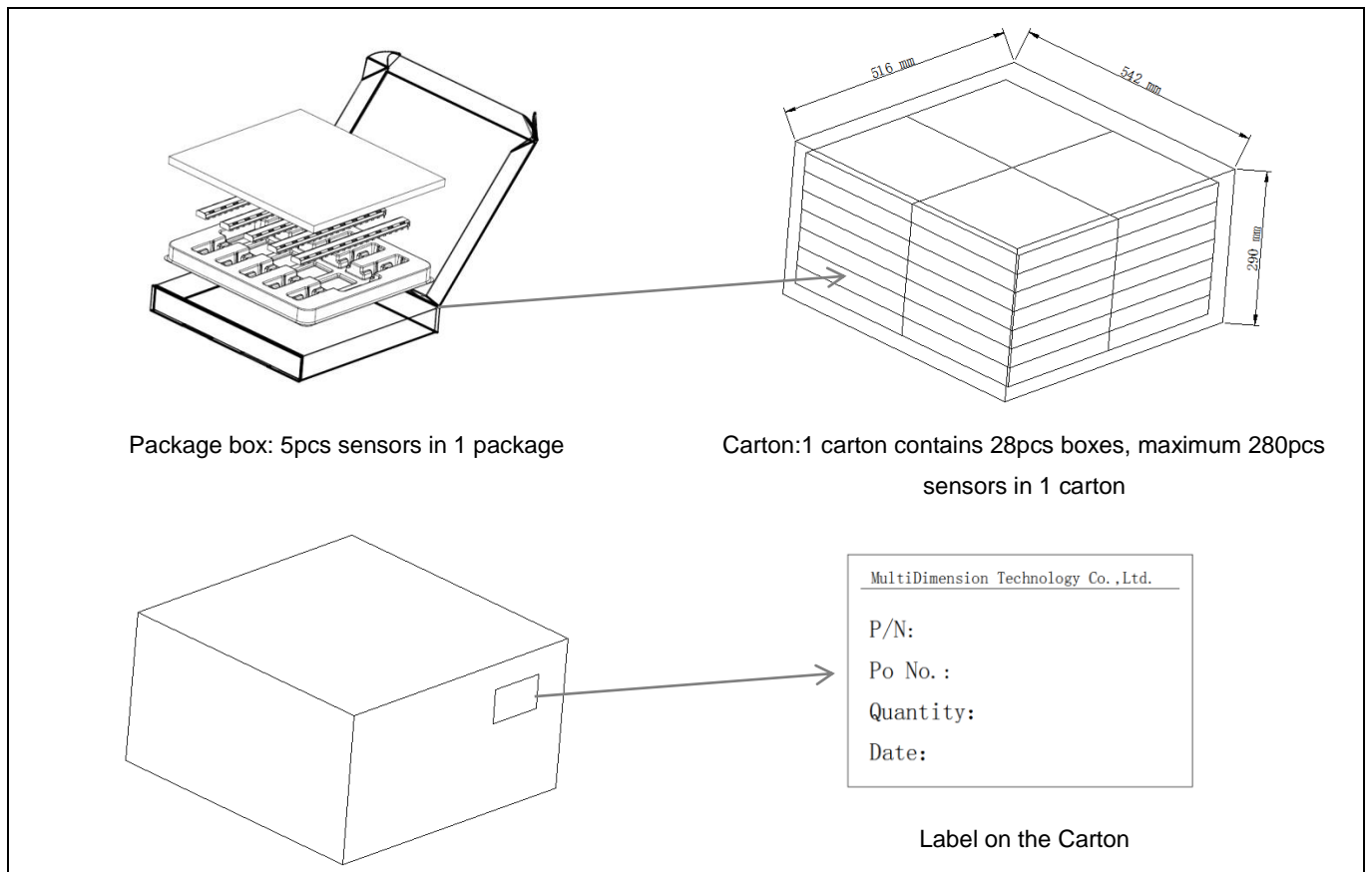
Notes:

The metal case or the cover should be connected to the shielding ground.

Mechanical Drawing & Dimensions



Packing Information





American Electronic Components Inc.

1101 Lafayette Street, Elkhart, Indiana 46516, United States of America.

Web: www.aecensors.com Email: sales@aecensors.com

Toll: 888 847 6552, Tel: +1 574 293 8013

The information provided herein by MultiDimension Technology Co., Ltd. (hereinafter MultiDimension) is believed to be accurate and reliable. Publication neither conveys nor implies any license under patent or other industrial or intellectual property rights. MultiDimension reserves the right to make changes to product specifications for the purpose of improving product quality, reliability, and functionality. MultiDimension does not assume any liability arising out of the application and use of its products. MultiDimension's customers using or selling this product for use in appliances, devices, or systems where malfunction can reasonably be expected to result in personal injury do so at their own risk and agree to fully indemnify MultiDimension for any damages resulting from such applications.